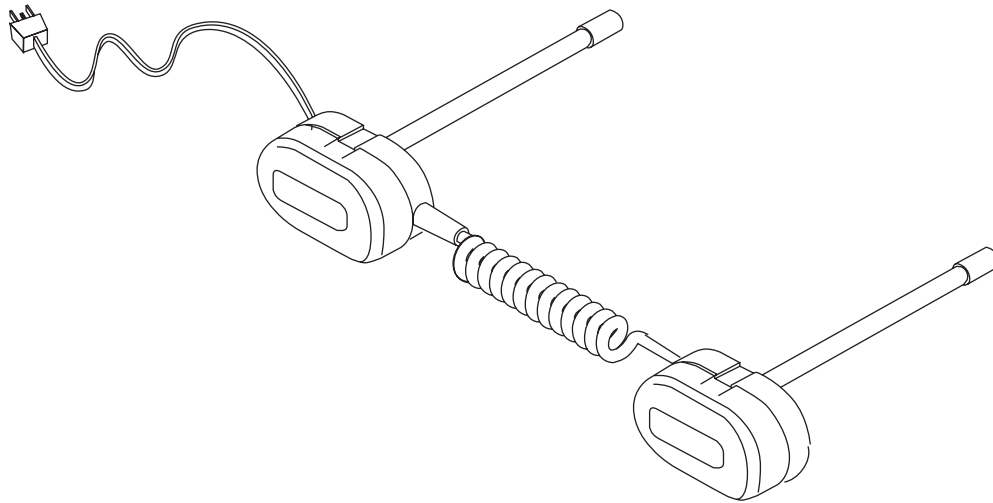


# Installation Instructions

## Accessory Ultraviolet (UV) Germicidal Lamp 1 & 2 Lamp Models—115-v & 208/230-v

## UV Lamp



C03009


**Fig. 1—Two Lamp Model UV Lamp**

**NOTE:** Read the entire instruction manual before starting the installation.

### SAFETY

Installation and servicing of air-conditioning equipment can be hazardous due to system pressure and electrical components. Only trained and qualified service personnel should install, repair or service HVAC equipment.

Untrained personnel can perform basic maintenance functions such as changing lamps. All other operations should be performed by trained service personnel. When working on air-conditioning equipment, observe precautions in the literature, tag and labels attached to the unit or accessory, and all other safety precautions that may apply.

Recognize safety information. This is the safety-alert symbol . When you see this symbol on the unit and in instructions or manuals, be alert to the potential for personal injury.

Understand the signal words DANGER, WARNING, and CAUTION. These words are used with the safety-alert symbol. DANGER identifies the most serious hazards which **will** result in severe personal injury or death. WARNING signifies a hazard which **could** result in personal injury or death. CAUTION is used to identify unsafe practices which **would** result in minor personal injury or product and property damage. NOTE is used to highlight suggestions which **will** result in enhanced installation, reliability, or operation.

Follow all safety codes. Wear safety glasses and work gloves. Have a fire extinguisher available if needed. Read these instructions thoroughly and follow all warnings or cautions attached to the unit. Consult local building codes and National Electrical Code (NEC) for special requirements. Before proceeding with installation, inspect thoroughly for shipping damage. Notify shipper immediately if any damage is found. Check for proper clearances of moving parts.

The qualified installer or agency must use factory-authorized kits or accessories when modifying this product. Refer to the individual instructions packaged with the kits or accessories when installing.

### INTRODUCTION

This UV Lamp system is designed to inhibit fungus and microbial growth when applied to the indoor coil/drain pan area of a central cooling system. This system should be mounted on a flat surface. These instructions cover the installation of both the 1 and 2 lamp models. Lamps are designed to operate for **one year** continuously before replacement is required.

**NOTE:** These UV Lamps are designed for indoor use only.

This model consists of individual UV Lamp assemblies. On 2 lamp models, the 2 assemblies are connected by a flexible cord which will allow the installer to separate the lamps from 4-in. to 18-in.

---

 **CAUTION:** Do not touch glass section of UV Lamp without clean gloves. Damage to lamp will result. Oil from fingers will permanently etch glass of lamp and weaken structure. Clean lamp with rubbing alcohol and clean cloth if necessary.

---

**Table 1— Unit Data**

UNIT INFORMATION	1 LAMP MODEL	2 LAMP MODEL	1 LAMP MODEL	2 LAMP MODEL
Electrical (V-PH-Hz)	115-1-60	115-1-60	208/230-1-60	208/230-1-60
Maximum Lamp Amperage Draw	0.6 Amps	1.1 Amps	0.3 Amps	0.6 Amps
Average Power Consumption	27 Watts	53 Watts	27 Watts	53 Watts
Unit Service Cord	6 foot cord with ground pin plug			
Average Lamp Life	Approximately 1 Year or 9,000 Hours of Unit Runtime			
Initial UVC Output at 1 Meter (in uW/cm <sup>2</sup> and 70 Deg F) and 450 FPM Airflow	105	198	105	198
Lamp Length	19-in.			

**⚠ CAUTION: Lamp contains a small quantity of mercury. Handle with care. If a lamp breaks, clean and dispose with care.**

**⚠ CAUTION: Never expose eyes or skin to ultra-violet light from any source. Lamp should be off for 1 full minute before opening unit to perform maintenance or service. Personal injury will result.**

**NOTE:** The health aspects associated with the use of this product and its ability to aid in disinfection of environmental air have not been investigated by UL.

**NOTE:** Each lamp model kit includes cleaning kit and mounting screws.

### INSTALLATION

#### PROCEDURE 1—UNIT MOUNTING LOCATION

**⚠ WARNING: Before installing accessory or performing maintenance or service on this or any other accessory, turn off main power to unit and install lock-out tag. There may be more than one disconnect switch. Failure to follow this warning could result in electrical shock and cause injury or death.**

**⚠ CAUTION: Perform visual inspection of potential mounting location by removing unit/cabinet door prior to cutting or drilling. Be careful not to cut, drill or drive screws into coil, refrigerant lines or other objects inside the HVAC unit. Damage to unit or personal injury will result.**

**NOTE:** On indoor coils 2 tons or smaller it is recommended that this UV lamp be installed in the connecting ductwork above the indoor coil and not in the coil casing itself.

**NOTE:** No testing has been done to determine the effects of UV light on duct board or flex duct, metal duct is recommended.

**NOTE:** It is recommended that a 7/8-in. hole be used for mounting this accessory. Using a 7/8-in. hole should provide proper clearances.

**NOTE:** Components contained in the current furnace and fan coil equipment are resistant to UVC exposure. Color shift or chalking may occur without affecting structural properties.

**IMPORTANT:** Select a mounting location that prevents direct exposure to non-fiberglass media filters. A minimum distance of 6 feet is recommended (Non-Fiberglass media will break down from UV exposure).

1. Turn off all power to unit and install lock-out tag.
2. Remove indoor coil casing door and inspect coil casing for proper location of UV lamp mounting holes.
3. Select location for lamp(s) that gives the most exposure to coil/drain pan. Light from the lamp should “wash” the coil and pan for maximum effectiveness (See Fig. 3A, 3B or 3C).

#### PROCEDURE 2—UNIT INSTALLATION

1. Drill or cut a 7/8-in. hole for each UV lamp into the coil casing, casing door or the connecting ductwork.
2. Securely mount UV lamp base assembly to the flat surface selected in Procedure 1 (use screws provided).
3. Replace coil casing door and slide ballast/lamp assembly into the mounted base, making sure the locating stud and molex connectors are aligned (See Fig. 2).
4. Install fastener screw to hold lamp/ballast to base.
5. Replace plastic cover(s) on UV lamp assembly base to complete the installation.

**NOTE:** On furnace application—Use 115-v power source other than the furnace motor circuit.

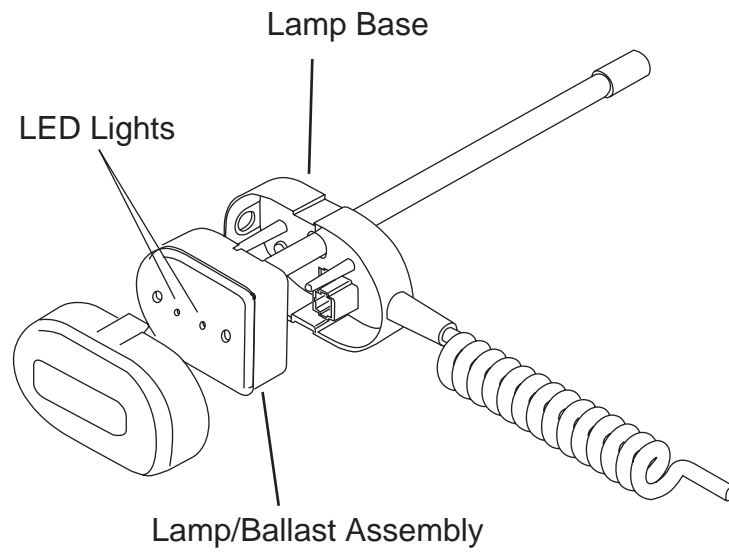
**NOTE:** On fan coil application—Use 208/230-v power source other than the fan coil motor circuit.

6. Connect electrical cord to suitable electrical receptacle.

### UV LAMP START-UP PROCEDURES

1. After power is supplied to lamp(s), make sure the LEDs behind the logo are illuminated. If not, verify supply voltage.

**NOTE:** On 2 lamp models, both lamp/ballast assemblies need to be installed before lamps will illuminate.



**Note: LED Lights are not lamp change indicators.  
Lamps should be changed annually.**

C03004

**Fig. 2— UV lamp Assembly (Detail View)**

**Table 2—Replacement Lamp Ordering Information**

REPLACEMENT LAMP ORDER NUMBERS		
Quantity	Lamp Voltage	ODS Number
1 Lamp/Ballast Assembly	115-1-60	UVLXXRPL1020
1 Lamp/Ballast Assembly	208/230-1-60	UVLXXRPL3020

- If at any time the LED lights behind the logo are dim this is an indication that one of the UV lamps is not working. Disconnect power and inspect for proper lamp operation.

### UV LAMP CARE AND MAINTENANCE

**⚠ CAUTION: Allow lamp to cool before opening UV lamp casing or HVAC unit cabinet. Failure to follow this caution will result in minor personal injury.**

**NOTE:** The recommended life of the lamp assembly in this UV lamp product is 1-year of constant operation or a maximum of 9,000 hours of unit runtime.

- When replacement of lamp is needed, order proper lamp assembly (See Table 2) from your dealer / distributor.
- Disconnect power supply from UV lamp by unplugging the electrical cord.
- Remove protective cover from UV lamp assembly.

**⚠ CAUTION: Lamp contains a small quantity of mercury. Handle with care. If a lamp breaks, clean and dispose with care.**

- Remove fastener screw(s) that holds lamp/ballast to base.
- Gently pull lamp assembly from mounted base assembly.
- Place old lamp assembly in a safe area before proceeding.

**NOTE:** Treat the disposal of these lamps as you would a standard fluorescent lamp.

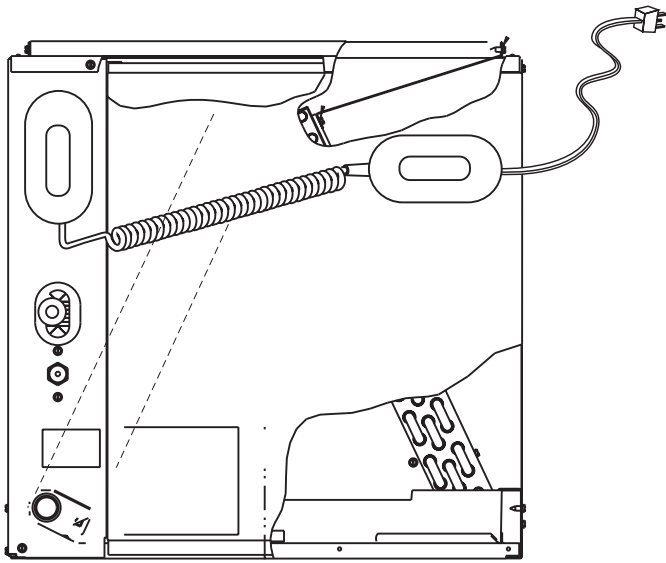
- Carefully slide new lamp/ballast assembly into base assembly until fully seated, retighten fastener screw(s) to hold new lamp in base.
- Replace protective cover.
- Reconnect unit power to UV lamp.
- Observe that LEDs behind logo brightly illuminate and that the lamp(s) are operational.

**NOTE:** Lamp/Ballast assembly should be removed when mounted on indoor coil casing door, if door is to be removed for system maintenance.

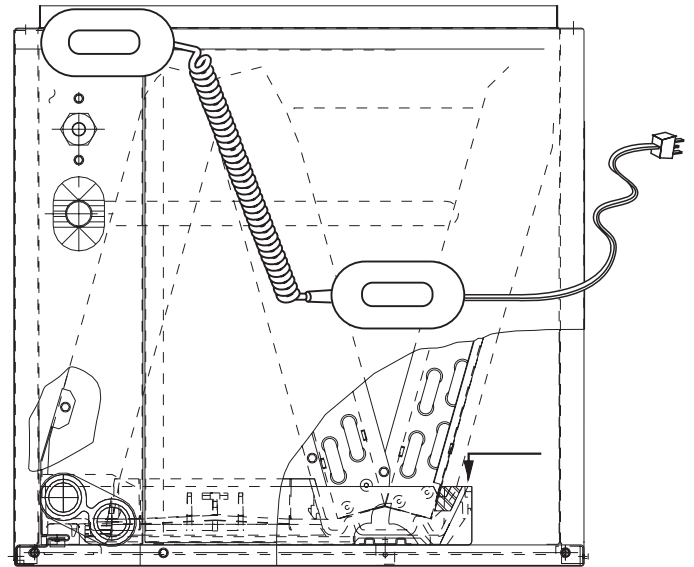
### WARRANTY STATEMENT

This UV lamp Product is covered by a limited warranty. Please see the included warranty card for clarification.

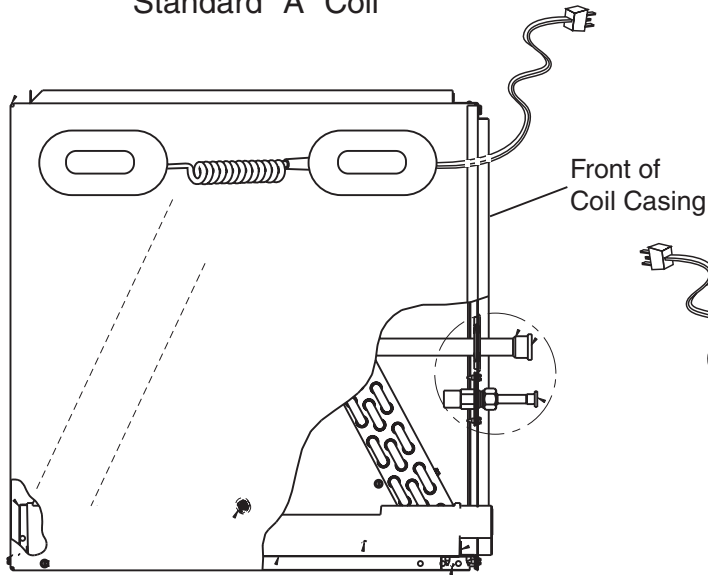
# Suggested Mounting Locations



Standard "A" Coil

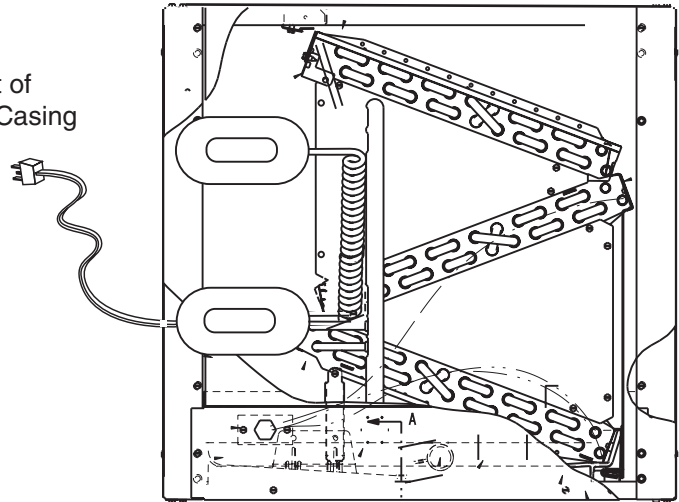


Standard "N" Coil



Side View

Wide 042, 048, 060 & 060A "A" Coil



Horizontal "N" Coil

C04012

Fig. 3A—Typical Furnace Coil Mounting Locations--115-v Application

# Alternate Mounting Locations

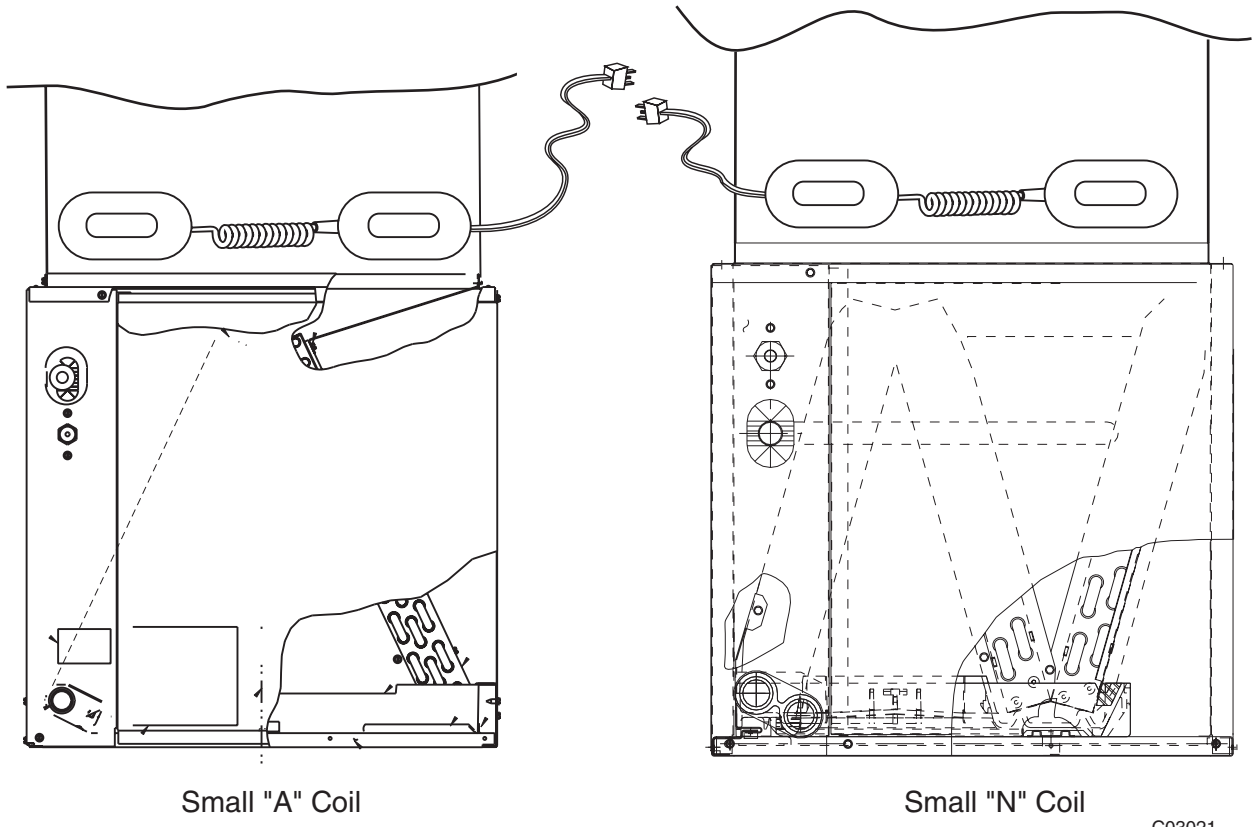
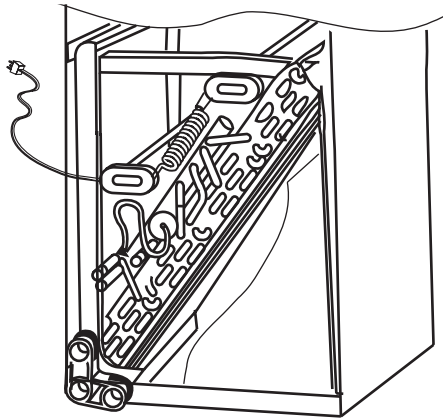
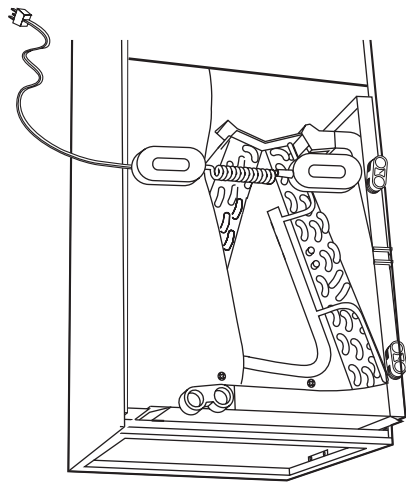


Fig. 3B—Alternate Furnace Coil Mounting Locations—115-v Application

Dual Lamp Application

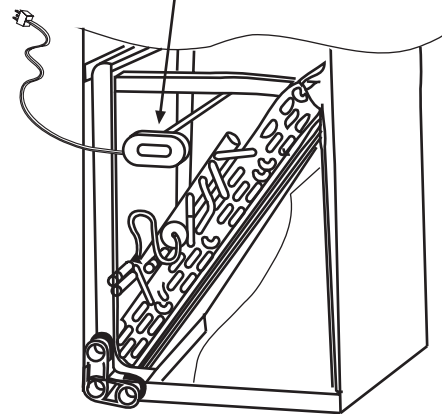


Sloped Fan Coil



"A" Coil in Fan Coil

Single Lamp Application



Sloped Fan Coil

C04014

Fig. 3C—Fan Coil Mounting Locations--208/230-v Application

